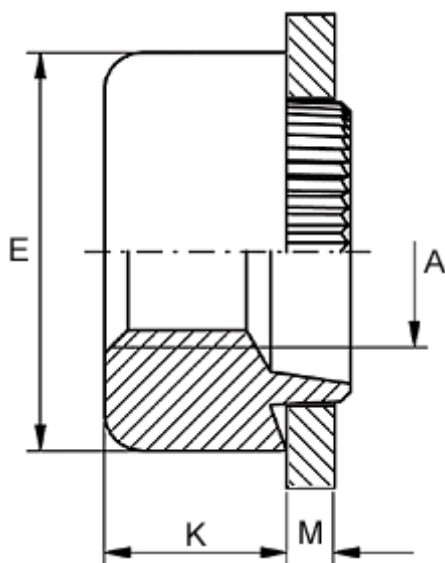


Article number: 12725000025120

Description: KLEE-coil 725 000 025.120
M2,5 Steel, zinc-pl. & chr. yellow

Measures



Female thread A	= M2,5
Height K	= 3.0
Outer diameter E	= 6.0
Plate thickness	= 1.1 to 1.3
Recommended bore diameter +0.05	= 4.0